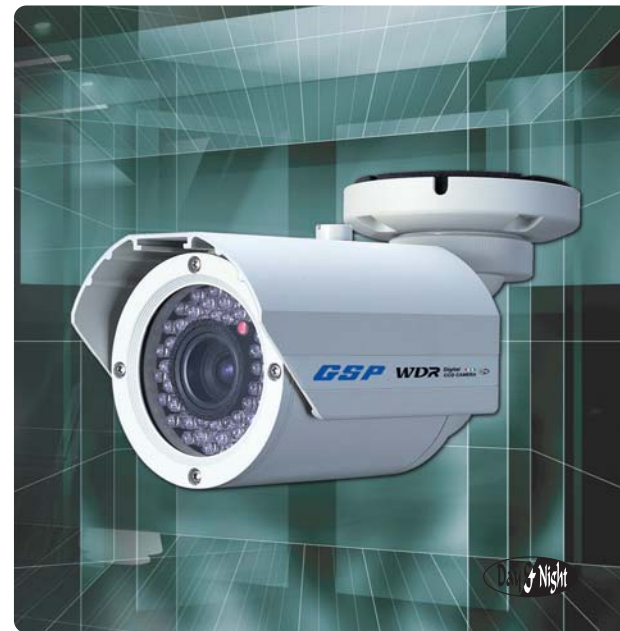


Night Vision High Quality Camera

FEATURES

- High Quality Picture & Compact Model(SS-HQ1)
- Sony 1/3" Exview HAD CCD(Super HAD CCD Optional)
- True Day/Night(ICR): GNV-E8344WS/E8324WS Only
- Horizontal Resolution more than 540/380TVL
- User-friendly installation and high performance
- AGC/ELC/BLC/FLK/GAMMA/MIRROR function
- Improvement of accuracy of operation region in ATW mode
- Improvement of color-rolling suppression
- High Speed Electronic Shutter
- 12VDC/24VAC Dual Power(Non Polarity)
- IP 66 Rating

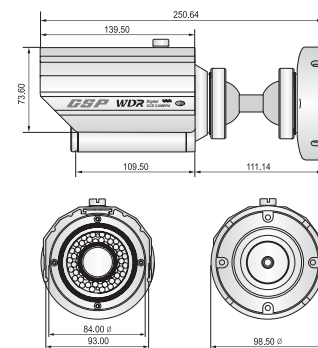


GNV-E8344WS/E8324WS

SPECIFICATIONS

| CAMERA | GNV-E8344WS | GSI-E8344WS | GNV-E8324WS | GSI-E8324WS |
|------------------------|--|-------------|---------------------|-------------|
| True Day/Night | Day/Night(ICR) | * | Day/Night(ICR) | * |
| Image Sensor | Sony 1/3" Exview HAD CCD(SS-HQ1) | | | |
| TV System | NTSC or PAL | | | |
| Effective Pixels | 410K(NTSC)/470K(PAL) | | 270K(NTSC)/320(PAL) | |
| Horizontal Resolution | 540TVL | | 380TVL | |
| White Balance | Automatic White Balance(AWB) | | | |
| Scanning System | 525Lines(NTSC), 625Lines(PAL) 2 : 1 Interlace | | | |
| Sync System | Internal(12VDC)/L.L.(External, 24VAC), Auto Switchable | | | |
| Scanning Frequency | (H)15.734KHz(V)59.94Hz(NTSC), (H)15.625KHz(V)50Hz(PAL) | | | |
| Min. Illumination | 0 Lux | | | |
| Lens | Day/Night Lens | * | Day/Night Lens | * |
| | 4~9mm Vari-Focal Auto IRIS Lens | | | |
| Electronic Shutter | 1/60~100,000(NTSC), 1/50~100,000(PAL) | | | |
| S/R Ratio | More than 48dB | | | |
| Gamma Correction | 0.45 or 1 Selectable | | | |
| Video Output | VBS 1.0Vp-p Composite | | | |
| Function Key | AGC/ELC/BLC/FLK/GAMMA/MIRROR/V-Phase Up · Down/DC Level Adjustment | | | |
| Electrical | | | | |
| Power Source | 12VDC/24VAC Dual Power(Non Polarity) | | | |
| | IR LED OFF | IR LED ON | IR LED OFF | IR LED ON |
| 12VDC | 320mA | 550mA | 320mA | 550mA |
| 24VAC | 140mA | 420mA | 140mA | 420mA |
| Connector Video Output | BNC Cable | | | |
| Power Output | Wired Type | | | |
| Environmental | | | | |
| Operating Temperature | -14 °F~122 °F(-10 °C ~ + 50 °C) | | | |
| Storage Temperature | -22 °F~140 °F(-30 °C ~ + 60 °C) | | | |
| Operating Humidity | Up to 85% RH | | | |
| Mechanical | | | | |
| Lens Mount | Board Mount Vari-Focal Lens | | | |
| Material | Aluminum | | | |
| Color | Ivory | | | |
| Dimensions | 250.6(W) X 87.6(H) | | | |
| Weight | 1400g | | | |

DIMENSION



OPTIONAL ITEM

- GNV-E8342WS (DN, High Resolution, 12VDC)
- GNV-E8322WS (DN, Medium Resolution, 12VDC)
- GSI-E8342WS (High Resolution, 12VDC)
- GSI-E8322WS (Medium Resolution, 12VDC)
- Sony 1/3" Super HAD (SS-HQ1) Version Available